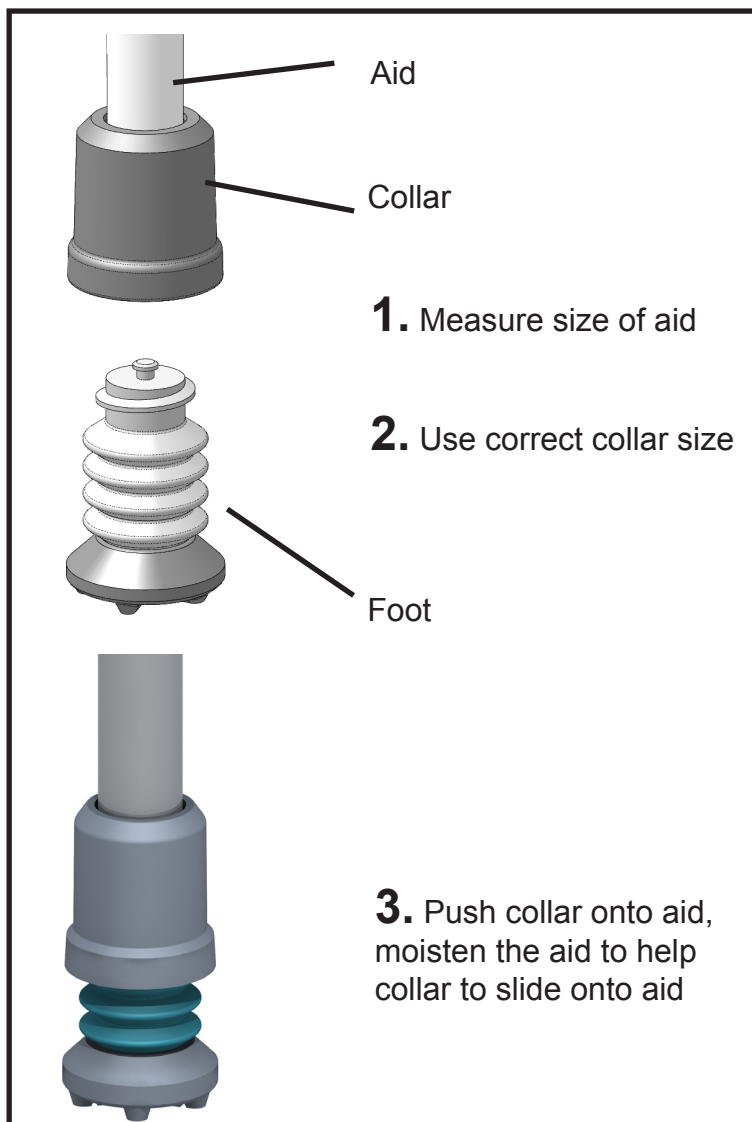


Flexyfoot User Instructions

flexyfoot

CE

Important: Flexyfoot is approximately 40mm higher than a standard ferrule and so the aid must be shortened by 40mm by using the adjustable height stops or by cutting off 40mm from the bottom end.



When to Fit New Foot

Replace foot when tread is worn down to the wear markers or if bellows or foot is damaged.

Please Note: Bellows will compress over time by about 6mm



To remove foot:

Pull foot away from collar and unscrew.

To fit new foot:

Screw new fit into collar until foot can rotate without unscrewing

Flexyfoot Sizes



16

Canes



19

Adjustable sticks



22

Adjustable crutches



25

Frames, walkers
permanent user crutches

For Replacement Feet

Order online at

- Your retailer
- www.flexyfoot.com, or
- freephone 0800 0285 888